



Bobcat® 435

Weights

Operating weight with ROPS canopy
 Additional weight for cab with heater
 Additional weight for cab with HVAC
 Additional weight for steel tracks
 Additional weight for long dipperstick

Engine

Make / model
 Fuel / Cooling
 Maximum power at 2400 RPM (DIN 79020)
 Maximum torque at * RPM (SAE J1349 Gross)
 Number of cylinders
 Displacement
 Bore / Stroke
 Alternator
 Starter

Controls

Steering

Hydraulic System

Pump type

Piston pump capacity
 Gear pump capacity
 Auxiliary flow
 Control valve

Performance

Digging force, standard dipperstick
 Digging force, long dipperstick
 Digging force, bucket
 Drawbar pull
 Ground pressure with standard dipperstick and rubber tracks
 Ground pressure with standard dipperstick and steel tracks
 Ground pressure with long dipperstick and rubber tracks
 Ground pressure with long dipperstick and steel tracks
 Travel speed, low range
 Travel speed, high range
 Maximum digging depth, standard dipperstick
 Maximum digging depth, long dipperstick

Slew System

Boom swing, left
 Boom swing, right
 Slew circle
 Slew drive
 Slew rate

Traction

Track width
 Number of track rollers per side
 Gradeability

Brakes

Travel brake
 Slew brake

Fluid Capacities

Cooling system
 Engine lubrication plus oil filter
 Fuel reservoir
 Hydraulic reservoir
 Hydraulic system with bucket and dipper cylinder retracted,
 bucket on the ground, and blade down

435 FastTrack™

4780 kg
 136 kg
 161 kg
 33 kg
 112 kg

Kubota / V2003-M-D1-TE2B-BC-1

Diesel / Liquid
 36.5 kW
 169.6 Nm
 4
 2.0 l
 83.0 mm / 92.4 mm
 12 V — 90 A — open frame with internal regulator
 12 V — gear reduction type — 2.0 kW

Direction and speed controlled by two pilot-operated hand levers or foot pedals

Piston pump with pressure compensating, load sensing and torque limiter controls, external gear pump

112.5 l/min
 35.2 l/min
 75.0 l/min

Nine-spool, individually compensated type, closed centre

23406 N
 20128 N
 35105 N

46657 N
 27.6
 27.8
 28.3
 28.5
 4.5 km/h
 8.7 km/h

3420 mm
 3772 mm

90°
 50°

Single row shear-type ball bearings with internal gear
 Radial piston motor with brake
 9.3 RPM

400 mm
 1 top, 5 bottom
 30°

Spring applied, hydraulically released, multi-disk brake
 Hydraulic lock on motor and pin lock

36.0 l
 7.1 l
 67.4 l
 29.9 l
 54.2 l

WINNER PLANT

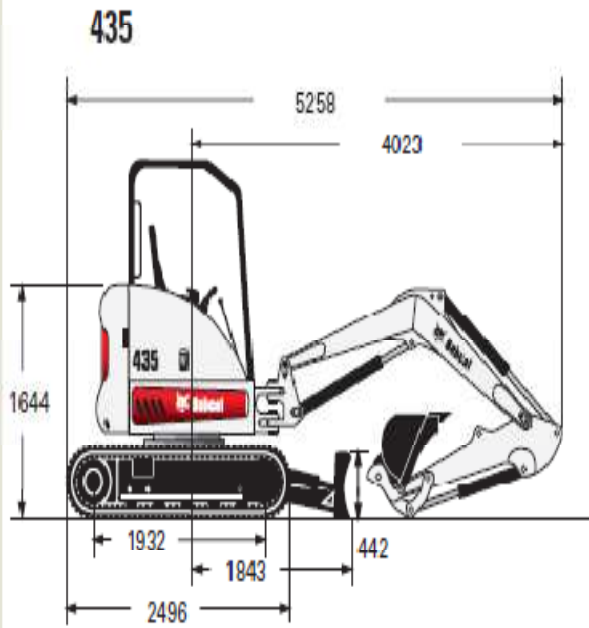
SUSSEX: 01903 230700

SURREY: 01483 456789

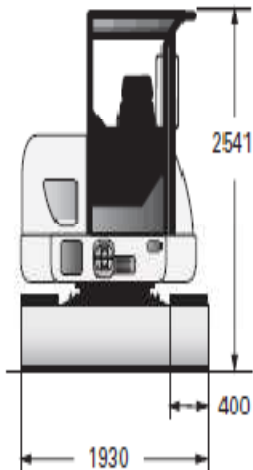
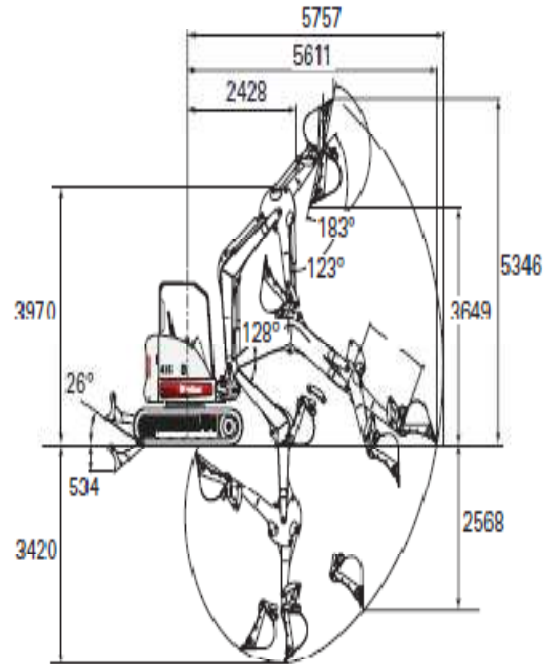
EMAIL: SALES@WINNERPLANT.CO.UK



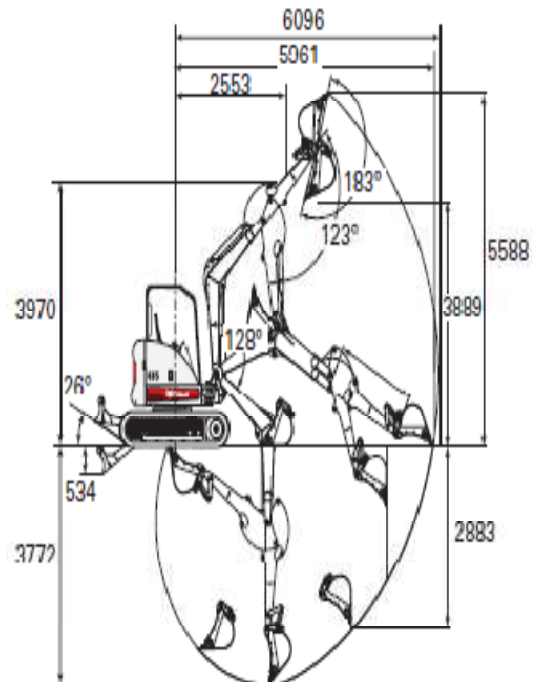
Bobcat® 435



Working range 435



Working range 435 long arm



All dimensions in mm.

WINNER PLANT

SUSSEX: 01903 230700

SURREY: 01483 456789

EMAIL: SALES@WINNERPLANT.CO.UK