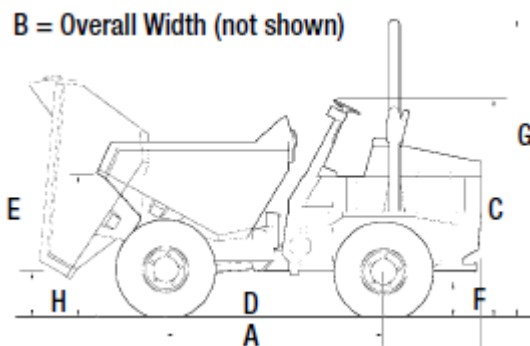




TEREX PT9000

	PT9000	
Payload (kg)	9000	
Unladen Weight (kg)	4880	
Skip Capacity - Water (ltr)	2360	
- Struck (ltr)	4065	
- Heaped (ltr)	4560	
Engine	Cummins 4B4.5T	
- Net Power - kW (hp)	74.5 (99.0) @ 2200 RPM	
- Capacity	4.5 litres	
- Maximum Torque	414 Nm	
Tyre Size	500/60x22.5x16ply High Flootation	
Drive	4/4 Powershuttle with Torque Converter - permanent 4WD	
Max Travel Speed - mph (kph)	17.4 (28.0)	
Gradeability	20%	
Fuel Tank Capacity	64 litres	
Hydraulic Tank Capacity	51 litres	



		PT9000
A	Total Length	4330
B	Total Width (not shown)	2500
C	Height to Top of Steering Wheel	2530
D	Wheelbase	2450
E	Height to Front Lip of Skip (untipped)	1722
F	Ground Clearance	410
G	Height to Top of ROPS (raised)	3342
H	Height to Front Lip of Skip (tipped)	430
	Turning Radius to Outside of Skip	6000 mm
	Steering Angle	+/- 30°
	Oscillation	+/- 10°

WINNER PLANT

SUSSEX: 01903 230700

SURREY: 01483 456789

EMAIL: SALES@WINNERPLANT.CO.UK