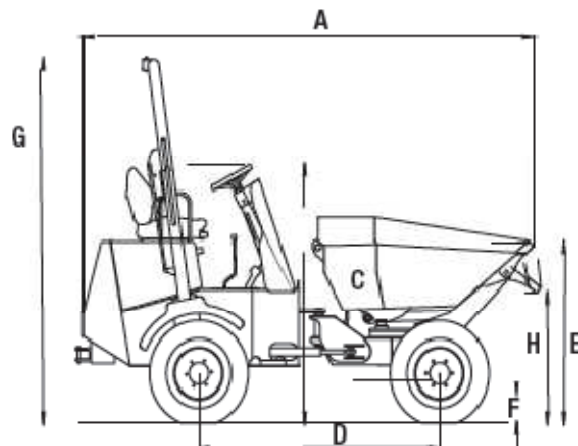




# TEREX® TA2se

		TA2se
Payload (kg)		2000
Unladen Weight (kg)		2100
Skip Capacity - Water (ltr)		750
- Struck (ltr)		1000
- Heaped (ltr)		1200
Engine	Kubota D1703M	
- Net Power - kW (hp)	24.5 (32.6)	
- Capacity	1647 cc	
- Maximum Torque	108 Nm	
Tyre Size	10.0/75x15.3x8ply	
Drive	3/1 Manual - permanent 4WD	
Max Travel Speed - mph (kph)		10.0 (16.0)
Gradeability		25 %
Fuel Tank Capacity		25 Litres
Hydraulic Tank Capacity		25 Litres



		TA2se
A	Total Length	3550
B	Total Width (Not shown)	1492
C	Height to Top of Steering Wheel	1910
D	Wheelbase	1900
E	Height to Front Lip of Skip (untipped)	1492
F	Ground Clearance	275
G	Height to Top of ROPS (raised)	2691
H	Height to Front Lip of Skip (tipped)	1120 (Lowered) / 1620 (Raised)
	High Discharge Height to Front of Skip	1610 mm (Raised)
	Turning Radius to Outside of Skip	3680 mm
	Steering Angle	+/- 30.6°
	Oscillation	+/- 10.5°
	Tipping Type	Elevating Swing Tip

**WINNER PLANT**

SUSSEX: 01903 230700

SURREY: 01483 456789

EMAIL: SALES@WINNERPLANT.CO.UK