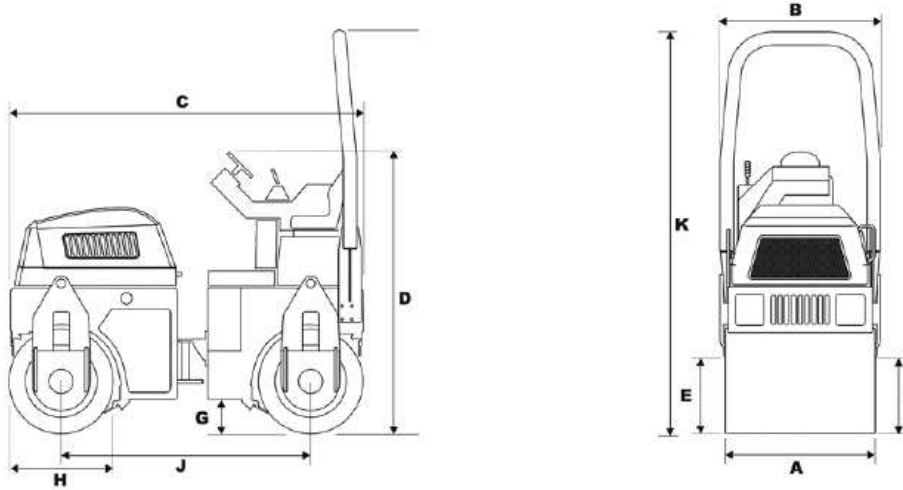




TEREX® TV800

Dimensions



Dimensions (mm)	
	TV800
A - Drum Width (mm)	800
B - Overall Width (mm)	870
C - Overall Length (mm)	1860
D - Height to Top of Steering Wheel (mm - Transport Height)	1530
E - Curb Clearance - Right (mm)	420
F - Curb Clearance - Left (mm)	390
G - Ground Clearance (mm)	200
H - Drum Diameter (mm)	550
J - Wheelbase (mm)	1260
K - Height to Top of ROPS frame (mm)	2400
Overhang - Left / Right (mm)	35 / 35
Steering	
	TV800
Steering Type	
Inside Turn Radius (mm)	1950
Outside Turn Radius (mm)	2820
Frame Articulation (degrees)	30
Frame Oscillation (degrees)	8
Capacities	
	TV800
Hydraulic Tank Capacity (litres)	28
Fuel Tank Capacity (litres)	18
Water Tank Capacity (litres)	86

WINNER PLANT

SUSSEX: 01903 230700

SURREY: 01483 456789

EMAIL: SALES@WINNERPLANT.CO.UK



TEREX® TV800

Performance	
	TV800
Total Static Basic Weight (kg)	1446
Operating Weight (kg) CECE	1559
Static Linear load (kg/cm)	9.7
Frequency - Hz (VPM)	46/52 (2760/3120)
Amplitude (mm)	0.5
Centrifugal Force (kN)	10/12.5
Gradeability (% - vibration on)	30
Gradeability (% - vibration off)	40
Drum Shell Thickness (mm)	10.0
Engine & Drive	
	TV800
Engine Make	Kubota
Engine Model	D905
Cylinders	3
Displacement (cc)	898
Cooling	Water
Power - kW (HP)	16.5 (22.11)
Operating Speed	2500/3000
Fuel Type	Diesel
Drive (both drums)	Hydrostatic
Travel Speed (kph)	8.0
Watering System	
	TV800
Tank Capacity (litres)	86
Spray Modes	
Electrical System	
	TV800
Battery (volts)	12V DC
Alternator (amp)	30

WINNER PLANT

SUSSEX: 01903 230700

SURREY: 01483 456789

EMAIL: SALES@WINNERPLANT.CO.UK