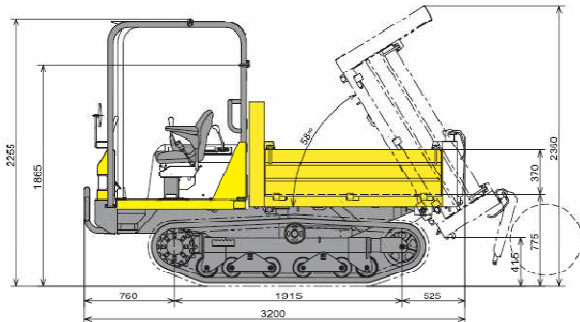
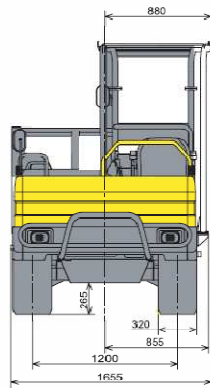
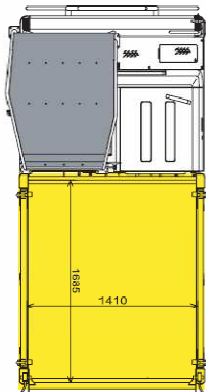




Operating weight : 2365 kg
 Max. Payload : 2500 kg



Subject to any technical modifications. Dimensions given in mm.

| | | C30R-2A |
|---|--|----------------------------|
| | Operating weight | 2365 kg |
| Yanmar Diesel 3 cylinders engine | Type | 3TNV88-SFW |
| | Rated Output | 19.1 kw / 26 HP / 2200 rpm |
| | Displacement | 1642 cm ³ |
| | Cooling system | Water |
| | Max. torque | 107.9 N.m. / 1320 rpm |
| Undercarriage | Track width | 320 mm |
| | Min. ground clearance | 265 mm |
| | Ground pressure (unloaded) | 0.27 kg/cm ² |
| | Ground pressure (loaded) | 0.57 kg/cm ² |
| Performance | Max. Payload | 2500 kg |
| | Dumping angle | 58° |
| | Vessel dimensions (L x W x H) | 1685 x 1410 x 370 mm |
| | Dumping mechanism | 1 side |
| | Dump clearance | 415 mm |
| | Dump vessel capacity (struck/heaped) | 0.88 / 1.24 m ³ |
| | Grade ability | 30° |
| | Max. Travelling speed (forward) | 0 - 8.2 km/h |
| | Max. Travelling speed (reverse) | 0 - 8.2 km/h |
| Miscellaneous | Transmission | Hydraulic engine with gear |
| | Hydraulic tank | 13 l |
| | Hydraulic system | 18 l |
| | Fuel tank | 40 l |
| | Brake | Wet multiple disk brake |
| | Acoustic pressure LwA (2000/14/EC & 2005/88/EC) | 100 dBA* |

WINNER PLANT

SUSSEX: 01903 230700
 SURREY: 01483 456789
 EMAIL: SALES@WINNERPLANT.CO.UK