



# Bobcat®

## E60

### Weights

Operating weight with ROPS cabin	6025 kg
Additional weight for long dipperstick	115 kg
Reduction for rubber tracks	150 kg

### Engine

Make / Model	Yanmar / 4TNV98-ESDB6	Diesel / Liquid
Fuel / Cooling		
Maximum power at 2200 RPM (DIN 6271)	37.3 kW	
Maximum torque at 1400 RPM	189-206 Nm	
Number of cylinders	4	
Displacement	3310 cm <sup>3</sup>	
Bore / Stroke	98 mm / 110 mm	
Alternator	12 V — 60 A	
Starter	12 V — 3.0 kW	

### Controls

Steering	Direction and speed controlled by two hand levers or two foot pedals
----------	---

### Hydraulic System

Pump type	One engine-driven tandem axial piston pump and two engine-driven gear pumps
Total pump capacity	144.1 l/min
Piston pump capacity	2x 49.3 l/min
Gear pump capacity	35.6 + 9.9 l/min
Auxiliary flow	52.5 l/min
Control valve	12 spool

### Performance

Digging force, standard dipperstick	26000 N
Digging force, long dipperstick	22600 N
Digging force, bucket	39900 N
Drawbar pull	— N
Travel speed, low range	2.07 km/h
Travel speed, high range	3.9 km/h
Maximum digging depth, standard dipperstick	3725 mm
Maximum digging depth, long dipperstick	4145 mm

### Slew System

Boom swing, left	70°
Boom swing, right	50°
Slew circle	Row shear-type ball bearings with internal gear
Slew drive	Axial piston motor with brake
Slew rate	9.6 RPM

### Traction

Track width	400 mm
Number of track rollers per side	1 top, 5 bottom
Gradeability	25°

### Brakes

Travel brake	Spring applied, hydraulically released, multidisk brake
Slew brake	Spring applied, hydraulically released, multidisk brake

### Fluid Capacities

Cooling system	4.2l
Engine lubrication plus oil filter	11.6l
Fuel reservoir	78.0l
Hydraulic reservoir	65.0l
Hydraulic system with bucket and dipper cylinder retracted, bucket on the ground, and blade down	100l

**WINNER PLANT**

SUSSEX: 01903 230700  
SURREY: 01483 456789  
EMAIL: SALES@WINNERPLANT.CO.UK

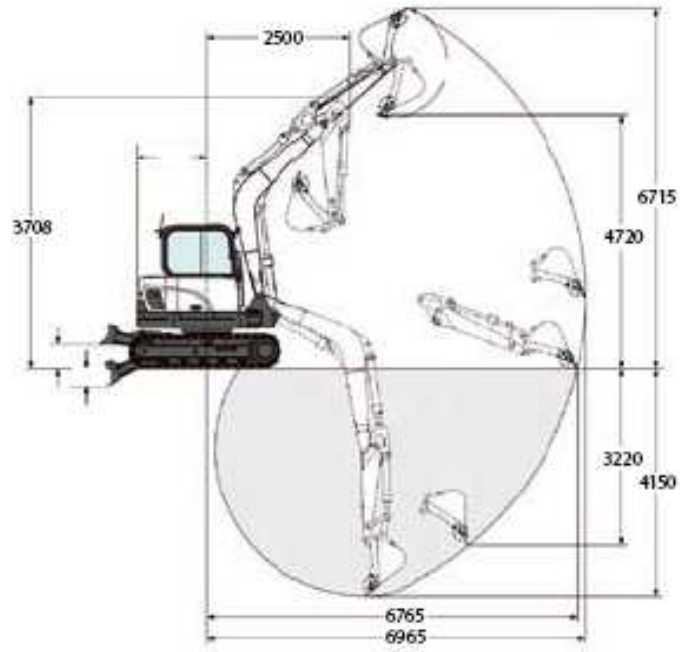


# Bobcat®

# E60

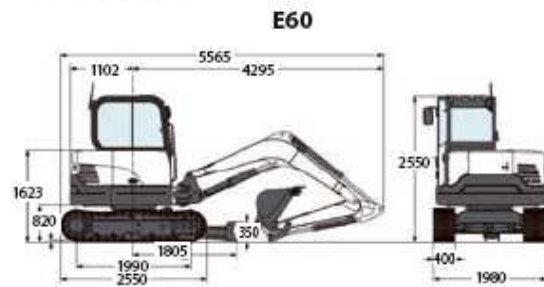
## Working Range

All dimensions in mm.



## Dimensions

All dimensions in mm.



**WINNER PLANT**

SUSSEX: 01903 230700  
SURREY: 01483 456789  
EMAIL: SALES@WINNERPLANT.CO.UK