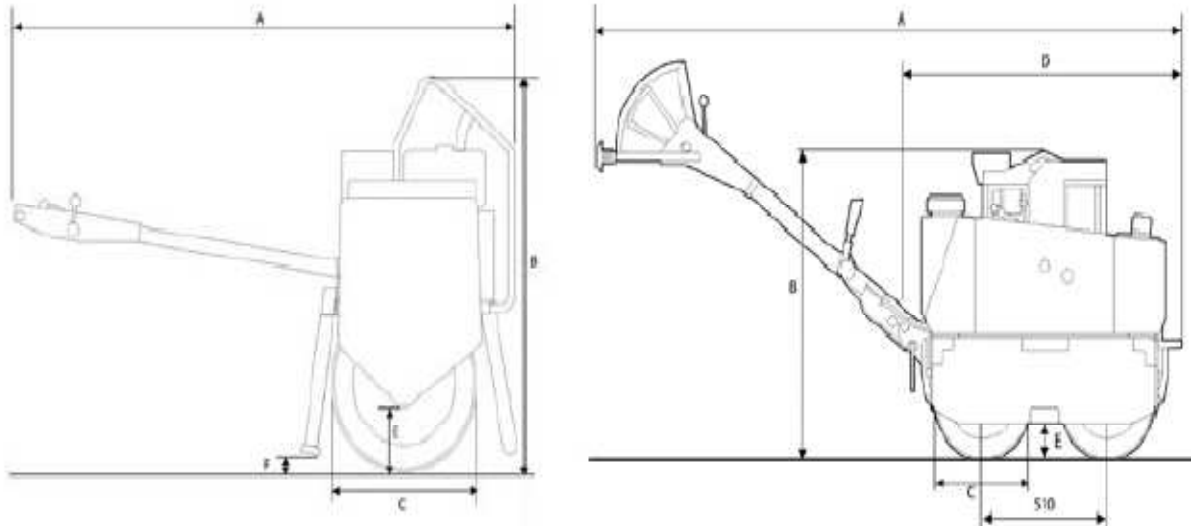




TEREX MBR71

Dimensions



Dimensions (mm)

	MBR71
A - Overall Length (mm)	2180
B - Overall Height (mm)	1300
C - Drum Diameter (mm)	575
D - Folded Length (mm)	n/a
E - Curb Clearance (mm)	230
F - Ground Clearance (mm)	170
Overhang - Left / Right (mm)	20/110
Drum Width (mm)	710
Drum Shell Thickness (mm)	8.0

WINNER PLANT

SUSSEX: 01903 230700

SURREY: 01483 456789

EMAIL: SALES@WINNERPLANT.CO.UK



TEREX MBR71

Engine & Drive

		MBR71	
Engine Make	Hatz		
Engine Model	1D41S		
Cylinders		1	
Displacement (cc)		413	
Cooling	Air		
Power - kW (HP)		5.5 (7.4)	
Operating Speed (rpm)	2600		
Fuel Type	Diesel		
Drive	Hydrostatic		
Travel Speed (kph)		3.2	
Braking System - Service	Dynamic Hydrostatic		
Braking System - Parking	Spring Apply / Hydraulic Release		

Capacities

		MBR71	
Hydraulic Tank Capacity (litres)		7.5	
Fuel Tank Capacity (litres)		5	
Water Tank Capacity (litres)		20	

WINNER PLANT

SUSSEX: 01903 230700

SURREY: 01483 456789

EMAIL: SALES@WINNERPLANT.CO.UK