

# KOMATSU **PC** 138us

## ENGINE

Model .....	Komatsu SAA4D96LE-5
Type .....	Common rail direct injection, water-cooled, emissionised, turbocharged, after-cooled diesel
Engine power	
at rated engine speed .....	2.200 rpm
ISO 14396 .....	72,0 kW / 96,6 HP
ISO 9249 (net engine power) .....	68,0 kW / 91,2 HP
No. of cylinders .....	4
Bore x stroke .....	95 x 115 mm
Displacement .....	3,26 ltr
Starter motor .....	4,5 kW
Alternator .....	24 V/60 A
Battery .....	2 x 12 V/72 Ah
Air filter type .....	Double element type with monitor panel dust indicator and auto dust evacuator

## HYDRAULIC SYSTEM

Type .....	HydrauMind. Closed-centre system with load sensing and pressure compensation valves
Main pump .....	Variable-capacity piston pump
Pumps for .....	Boom, arm, bucket, swing, and travel circuits
Maximum pump flow .....	242 ltr/min
Hydraulic motors:	
Travel .....	2 x axial piston motor with parking brake
Swing .....	1 x axial piston motor with swing holding brake
Relief valve settings:	
Implement .....	355 bar
Travel .....	355 bar
Swing .....	276 bar
Pilot .....	33 bar

## DRIVES AND BRAKES

Steering control .....	2 levers with pedals giving full independent control of each track
Drive method .....	Hydrostatic
Max. drawbar pull .....	12.500 kgf
Max. travel speeds	
Lo / Hi .....	2,9 / 5,1 km/h

## SWING SYSTEM

Type .....	Axial piston motor driving through planetary double reduction gearbox
Swing lock .....	Electrically actuated wet multi-disc brake integrated into swing motor
Swing speed .....	0 - 11 rpm
Swing torque .....	3.357 kgm

## UNDERCARRIAGE

Construction .....	X-frame centre section with box section track-frames
Track assembly	
Type .....	Fully sealed
Shoes (each side) .....	43
Tension .....	Combined spring and hydraulic unit
Rollers	
Track rollers (each side) .....	7
Carrier rollers (each side) .....	1

## SERVICE REFILL CAPACITIES

Fuel tank .....	195 ltr
Radiator .....	12,4 ltr
Engine .....	11 ltr
Final drive (each side) .....	2,5 ltr
Swing drive .....	2,5 ltr
Hydraulic tank .....	69 ltr

## ENVIRONMENT

Engine emissions .....	Fully complies with EU Stage IIIA and EPA Tier III exhaust emission regulations
Noise levels	
LwA external .....	100 dB(A) (2000/14/EC Stage II)
LpA operator ear .....	72 dB(A) (ISO 6396 dynamic test)
Vibration levels (EN 12096:1997)*	
Hand/arm .....	≤ 2,5 m/s <sup>2</sup> (uncertainty K = 0,38 m/s <sup>2</sup> )
Body .....	≤ 0,5 m/s <sup>2</sup> (uncertainty K = 0,07 m/s <sup>2</sup> )

\* for the purpose of risk assessment under directive 2002/44/EC, please refer to ISO/TR 25398:2006.

**WINNER PLANT**

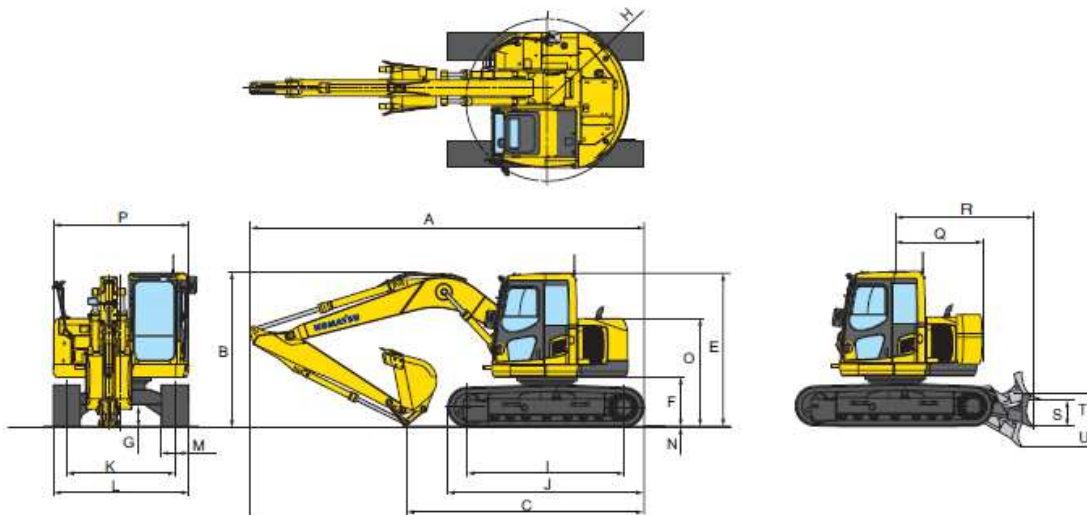
SUSSEX: 01903 230700  
 SURREY: 01483 456789  
 EMAIL: SALES@WINNERPLANT.CO.UK

# KOMATSU **PC** 138us

## MACHINE DIMENSIONS

## MONO BOOM

E	Overall height of cab	2.815 mm
F	Clearance under counterweight	900 mm
G	Ground clearance	395 mm
H	Tail swing radius	1.480 mm
I	Length of track on ground	2.880 mm
J	Track length	3.610 mm
K	Track gauge	1.990 mm
L	Overall track width with 500 mm shoe	2.490 mm
	Overall track width with 600 mm shoe	2.590 mm
	Overall track width with 700 mm shoe	2.690 mm
M	Shoe width	500, 600, 700 mm
N	Grouser height	20 mm
O	Machine tail height	1.990 mm
P	Overall width of upper structure	2.490 mm
Q	Distance, swing center to rear end (with add. counterweight)	1.545 mm
R	Distance, swing center to blade	2.490 mm
S	Blade, max. lifting height	470 mm
T	Height of blade	590 mm
U	Blade, max. digging depth	525 mm
	Blade width (with 500 mm shoes)	2.490 mm
	Blade width (with 600 mm shoes)	2.590 mm



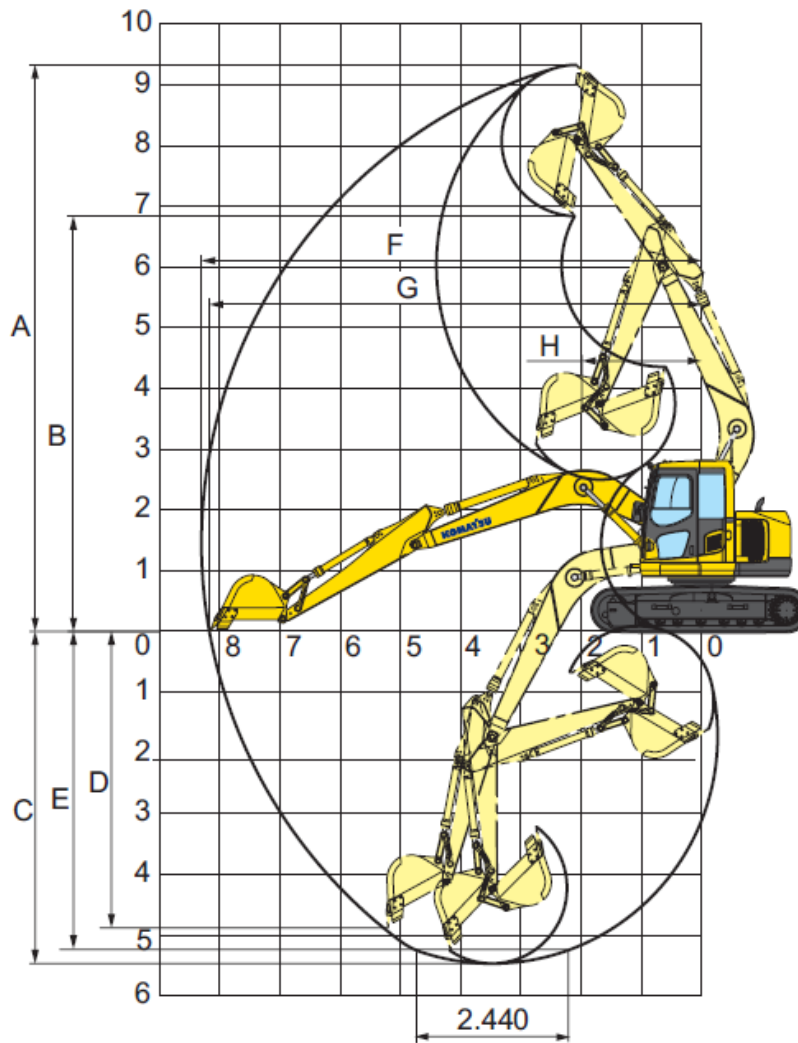
## MONO BOOM

	Arm length	2.100 mm	2.500 mm	3.000 mm
A	Transport length	7.275 mm	7.260 mm	7.160 mm
B	Overall height (to top of boom)	2.690 mm	2.850 mm	3.210 mm
C	Length on ground (transport)	4.660 mm	4.400 mm	4.290 mm

## **WINNER PLANT**

SUSSEX: 01903 230700  
 SURREY: 01483 456789  
 EMAIL: SALES@WINNERPLANT.CO.UK

# KOMATSU **PC** 138us



## ARM LENGTH

	<b>2.500 mm</b>
A Max. digging height	9.340 mm
B Max. dumping height	6.840 mm
C Max. digging depth	5.480 mm
D Max. vertical wall digging depth	4.900 mm
E Max. digging depth of cut for 2,44 m level	5.265 mm
F Max. digging reach	8.300 mm
G Max. digging reach at ground level	8.180 mm
H Min. swing radius	1.980 mm
Bucket digging force (ISO)	9.500 kgf
Arm crowd force (ISO)	6.300 kgf

## **WINNER PLANT**

SUSSEX: 01903 230700  
 SURREY: 01483 456789  
 EMAIL: SALES@WINNERPLANT.CO.UK